

# RACING JET



## Operation Manual



[www.universal-space.com](http://www.universal-space.com)

# CONTENT

**Important Safety Instructions.....2**

**1. SPECIFICATIONS ..... 4**

**2. PACKAGE CONTENTS ..... 5**

**3. PART NAME ..... 6**

**4. SET UP & INSTALLATION..... 7**

**5. HOW TO PLAY..... 10**

**6. MAINTENANCE & INSPECTION..... 11**

**7. TROUBLE SHOOTING..... 12**

**8. OVERALL CONSTRUCTION ..... 13**

**9. IO chart ..... 29**

Non-technical personnel who do not have technical knowledge and Expertise should refrain from performing such work that this manual require or perform tasks which are not explained in this manual. Failing to comply can cause severe accidents such as electric shock or other serious injuries. All repairs must be performed to original manufacturer specifications.

**WARNING: To reduce the risk of fire, electric shock or personal injury, unplug or disconnect the machine from the power supply before servicing.**

Thank you for purchasing **RACING JET** from Universal Space. We hope you enjoy the product.

This manual contains valuable information about how to operate and maintain your game machine properly and safely. It is intended for the owner and/or personnel in charge of product operation. Carefully read and understand the instructions.

If you need any help during installation and setup please utilize this manual and troubleshooting guide. If the product fails to function properly, *non-technical personnel should under no circumstance attempt to service the machine*. Contact your distributor or manufacturer for help.

Before use, please read **IMPORTANT SAFETY INSTRUCTIONS**.

## **IMPORTANT SAFETY INSTRUCTIONS**

**To ensure the safe usage of this product, carefully read and understand these instructions before operating your game.**

**Save these instructions for future reference.**

Use this product only as described in this manual. Other uses not recommended may cause fire, electric shock or personal injury. Unplug the game from the outlet when not in use, when moving from one location to another, and before cleaning/servicing.

Explanations which require special attention are indicated by signs of warning. Depending on the potential hazardous degree, the terms: **NOTE**, **NOTICE**, and **WARNING** are used.

**NOTE:** A NOTE indicates useful hints or information about product usage.

**NOTICE:** A NOTICE indicates potential damage to product and how to avoid the problem.

**WARNING:** A WARNING indicates a potential for product damage or serious personal Injury.

It is important to understand the meaning of the following HAZARD SIGNS before continuing:

### **High Voltage and Shock Hazard:**

High voltage can cause electric shock.  
Turn off/unplug power before servicing.



### **High Temperature Hazard:**

This part may cause scalding.  
Do not touch. Surface may be hot.



### **No Touching Hazard:**

This part may be hot or can cause electric shock.  
Do not touch.



Use the following safety guidelines to help ensure your own personal

safety and to help protect your equipment and surrounding environment from potential damage.



**This product is an indoor game machine. Do not install outdoors.**

Avoid installing in the following places to prevent fire, electric shock, injury and/or machine malfunctioning:

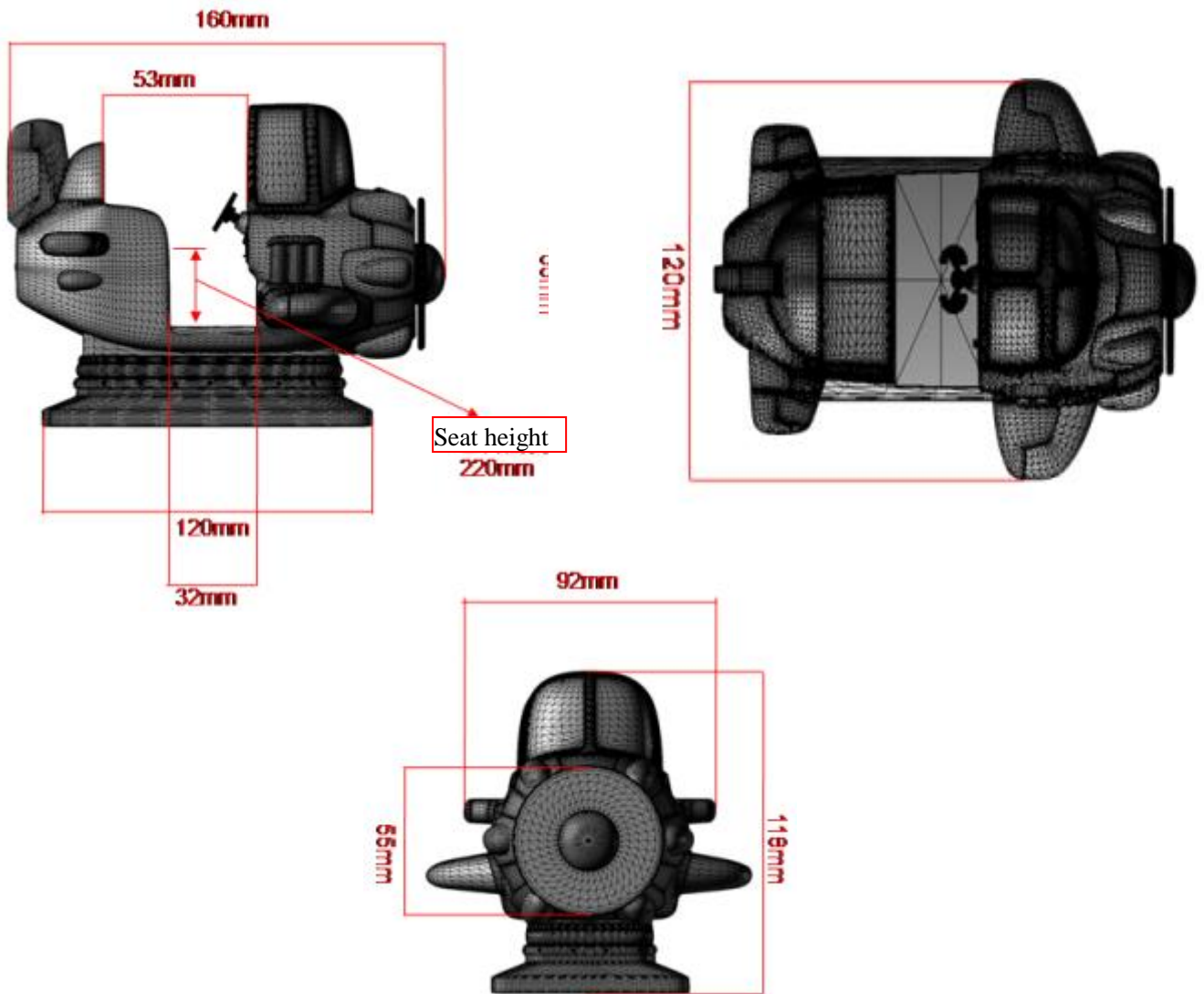
- Places subject to rain/moisture, or places subject to high humidity.
- Places subject to direct sunlight, or places subject to extremely hot or cold temperatures to ensure that it is used within the specified operating range.
- Places where inflammable gas may be present or in the vicinity of highly inflammable/volatile chemicals or items that can easily catch fire
- On unstable or sloped surfaces. The machine may topple or cause unforeseen accidents.
- Vicinity of fire exits, fire extinguishers etc that may block/prevent safety measures

**IMPORTANT NOTE:**

**ALL REPAIRS MUST BE DONE TO ORIGINAL MANUFACTURER SPECIFICATIONS.  
FAILURE TO DO SO VOID ALL WARRANTIES AND OPERATOR ASSUMES ALL  
RISKS.**

Note: The contents of this manual may be updated without notice.

# 1. SPECIFICATIONS



Rated power supply: **AC220-240V, AC110V 50/60Hz**

Min. Power consumption: **100W**

Max. Power consumption: **300W**

Dimensions: **W160×D120×H118 (mm)**

Weight: **Approximately 200kg**

Load weight: **About 150kg**



**!** **NOTICE:** After turning off the game, please wait at least 1 minute before restarting again.

**Note:** Game parameters are subject to change without notice.

## 2. PACKAGE CONTENTS

Open the package and make sure all the items are included:

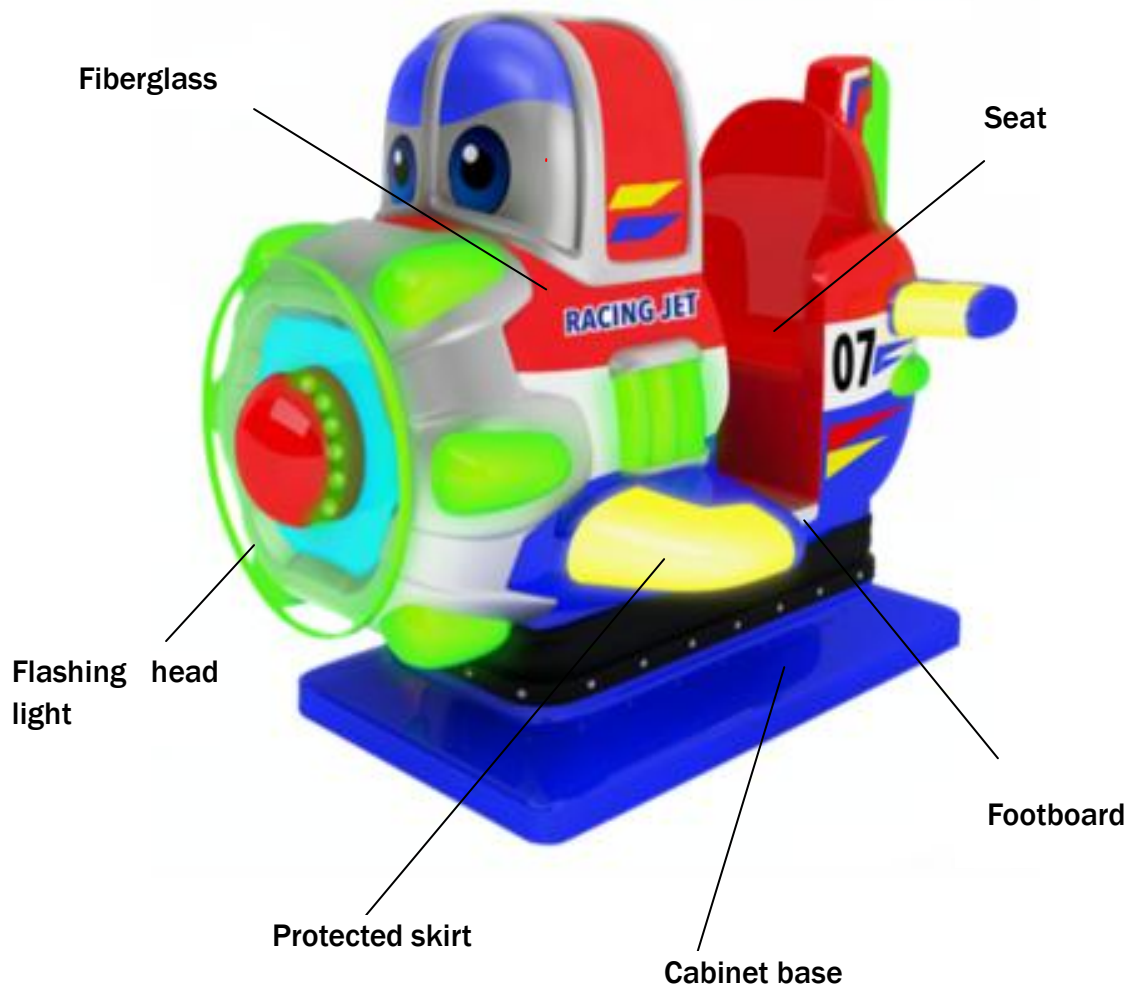
- 1 x Body Assembly
- Following accessories

No.	Part No.	Name	SPEC.	Illustration	Qty.
1	R120-301-000	Power cord	1.5 m		1
2	R120-302-000	Fuse			1
3	R120-303-000	Manual			1
4	R120-304-000	Key	AH57		2
5	R120-305-000	Coin door key	AH78		1
6	R120-306-000	Sensor			1

If any items are found to be missing, please contact your sales representative for help immediately.

**NOTE:** Part models are subject to change without notice.

### 3. PART NAME



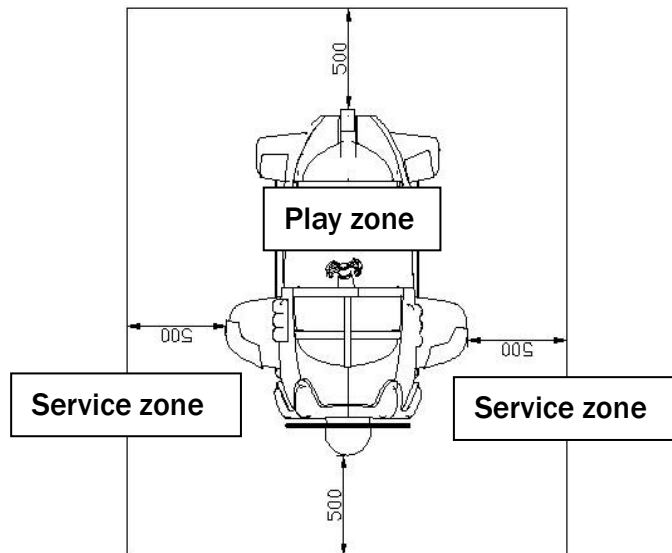
## 4. SET UP & INSTALLATION

**⚠ This product is an indoor game machine. Do not install outdoors.**

- Refer to IMPORTANT SAFETY INSTRUCTIONS (Pg. 2) for places to avoid
- Place the unit on a dry level surface
- Ventilation openings in the back of the unit must not be obstructed by objects or by wall.

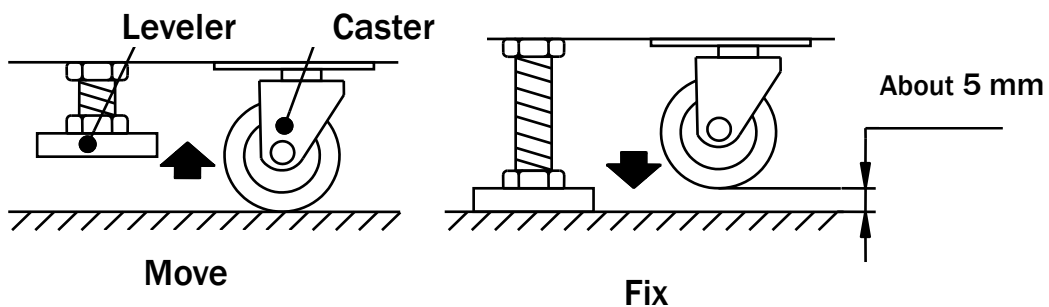
### 4.1 Play Zone

This machine requires space for playing and for maintenance as shown below. Leave space around the game upon installation:



### 4.2 Level Adjustment

Install this machine on a flat surface. Adjust levers to lift casters off the ground to level the game. If the game is installed on an unsuitable floor, it could cause game malfunction. To secure the game, adjust the Leveler down until it touches the floor, lifting the casters off the ground by 5mm. Repeat the same for all levelers.

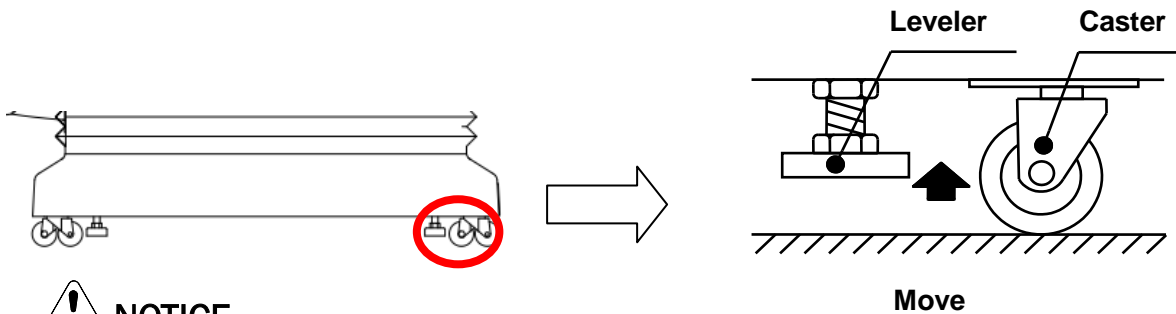


**⚠ NOTICE**

Make sure the machine is level with the ground and all the adjustable legs should stick to the floor closely.

### 4.3 Transporting the Game

If you need to move the game, adjust the levelers back to an “up” position so the casters touch the ground.



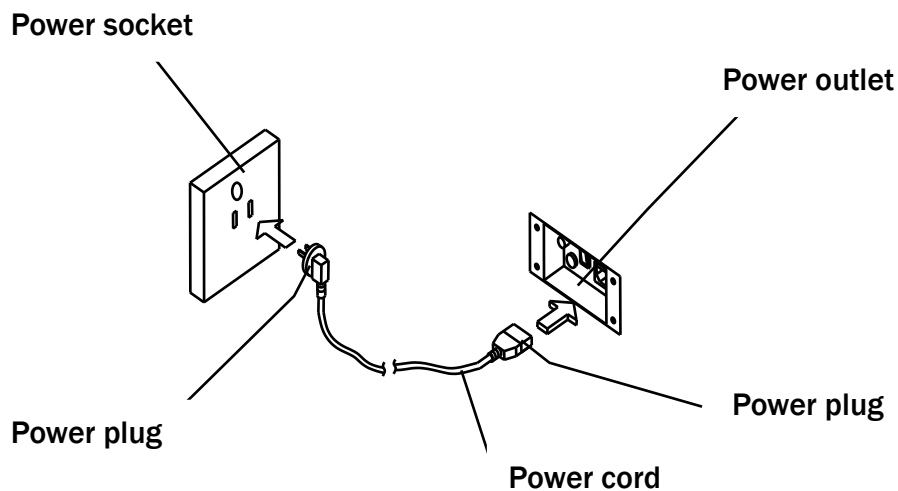
**NOTICE**

- Be careful not to damage the machine during transport.
- The machine should be handled with care when bringing it down from a higher level.
- Always unplug the game before moving.
- Keep the machine in upright position during transport.
- For longer distance transport, package the game properly to prevent damages

### 4.4 Connecting Power

**WARNING:** Check the voltage rating before you connect the equipment to an electrical outlet to ensure that the required voltage and frequency match the available power source. Please refer the label of the machine.

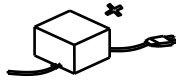
- Do not plug the equipment power cables into an electrical outlet if the power cable is damaged.
- Avoid putting many loads on one electrical outlet as it could generate heat and fire resulting from overload.
- Connect the grounding conductor to the earth terminal (GND):



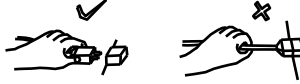


**WARNING**

Ensure no heavy objects rest on the power cord. Check to make sure the game cabinet does not sit on the power cord as this could damage the cord and become hazardous.



To disconnect the game, grip the plug and pull it from the wall outlet. Never pull by the cord.



To prevent electric shock, do not touch the power plug when hand is wet.

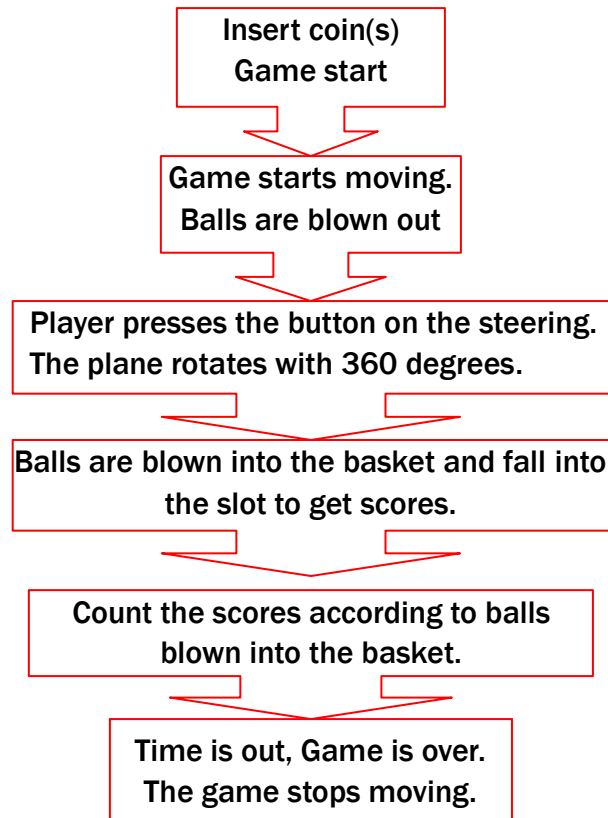


Ensure that nothing rests on the power cord and that it is not located where it can be stepped on or tripped over.



## 5. HOW TO PLAY

### 5.1 Game Flow



### 5.2 Operation Instruction



## 6. MAINTENANCE & INSPECTION

### 6.1 Safety Check

Check the points listed before operating the machine. These checks are necessary for safe machine operation:

1. Try to run the game before operation each day.
2. Conduct monthly routine checks of game components ensure good working condition
3. Check the machine regularly for dust and clean when necessary.

**Note:** Parts and components require preventative maintenance to be kept running smoothly

### 6.2 Handling Precautions

When installing or inspecting the machine, be very careful of the following points and pay attention to ensure that the player can enjoy the game safely.

Non-compliance with the following points or inappropriate handling running counter to the cautionary matters herein stated can cause personal injury or damage to the machine



#### WARNING

- Before servicing the machine, be sure to turn power off. Servicing without turning the power off can cause electric shock or short circuit.
- To avoid electric shock or short circuit, do not plug then unplug the power quickly
- Do not expose power cords and earth wires, these are susceptible to damage.
- Damaged cords and wires can cause electric shock or short circuit and should be replaced immediately.
- When or after installing the product, avoid pulling the power cord to prevent unnecessary wear and tear. Use the power button to disconnect power.
- In case the power cord is damaged, ask for replacement through where the product was purchased from or replace locally. Continued usage of damaged cord can cause fire, electric shock or leakage.
- Perform grounding appropriately. Inappropriate grounding can cause electric shock.
- Use fuses that meet specified rating. Fuses exceeding can cause an electric shock.
- Should a problem occur, turn off the power immediately and stop operating the machine. Unplug the power cord of the service outlet. Operating the machine without correcting the problem may cause a fire or injuries.
- Insert the power plug securely into the outlet. Poor contact may cause overheating, resulting in fire or burns.
- To ensure the warning labels attached on the machine are visible and legible, install the machine in a well-lit location, and keep the labels clean at all times. Make sure the labels are not hidden behind other game machines.

## 7. TROUBLE SHOOTING

**Problem 1:** The machine without respond when power on.

**Solution:** A. Check the machine external power supply is normal.

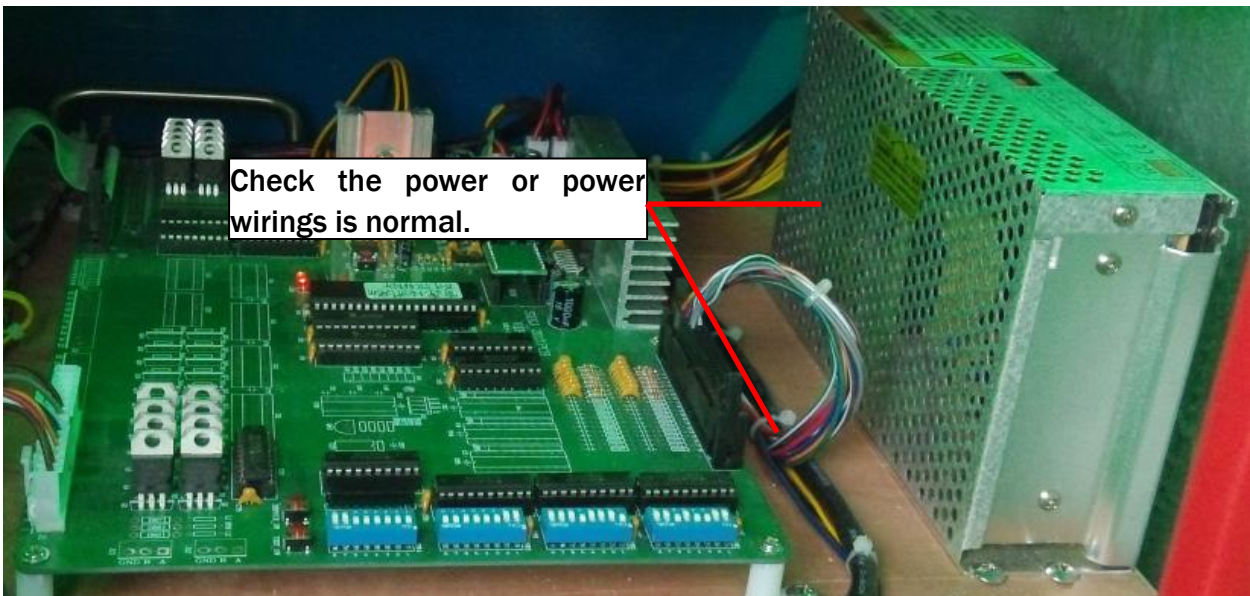
B. Check the power SW is "NO" status.

C. Check if the fuse blown out.

Counterclockwise spin out the fuse to check if it blown out.



D. Check the power or power wirings is normal.



Check the power or power wirings is normal.

**Problem 2:** The machine without response when inserted coin(s).

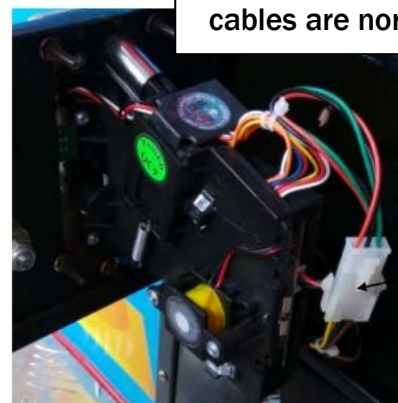
**Solution:** A. Check the coin mech. and cables are normal.

B. Insert coin(s), check the coin meter is normal, then check the main board is normal.

C. Change new coin mech.



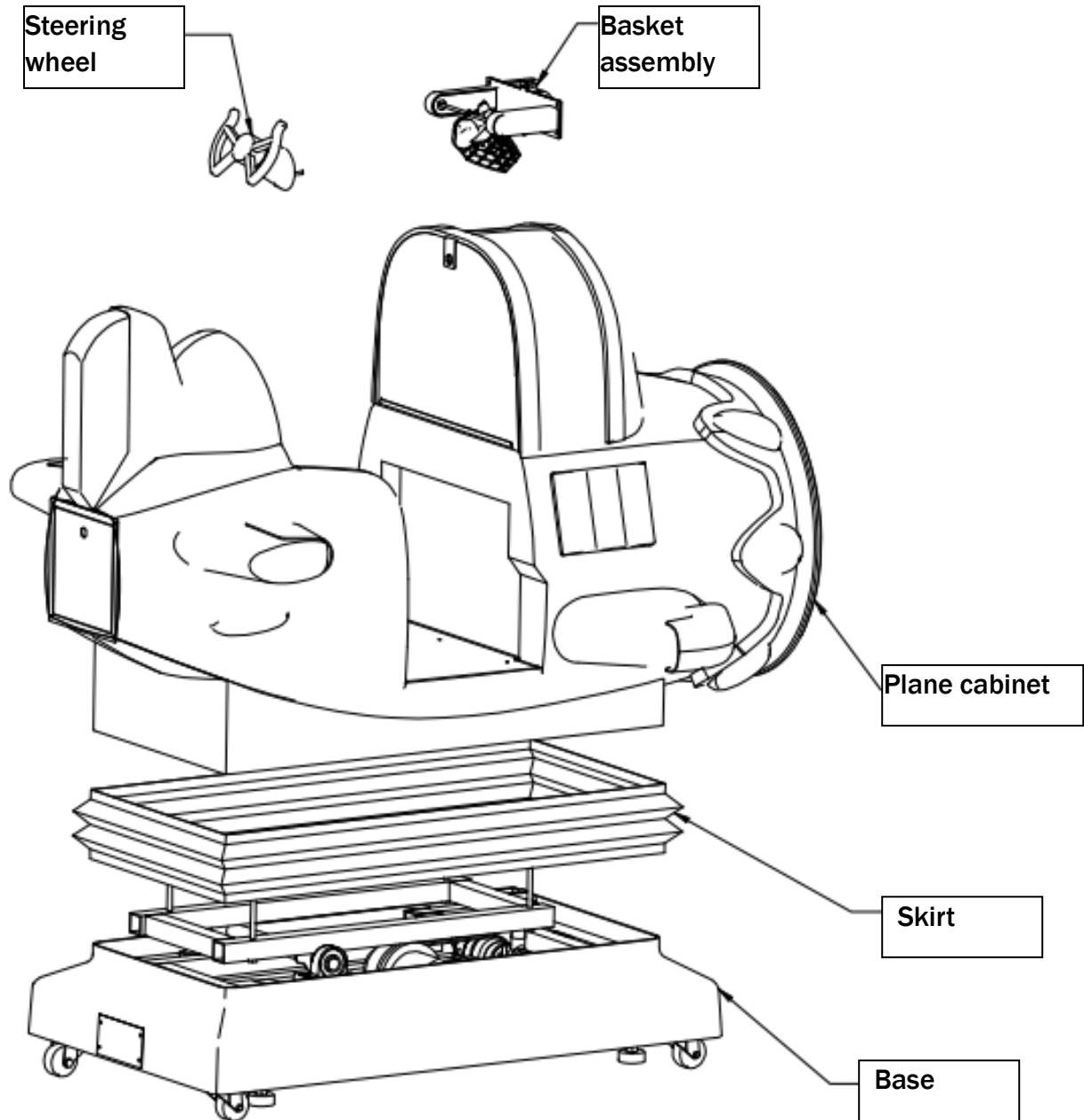
Check the coin meter is normal



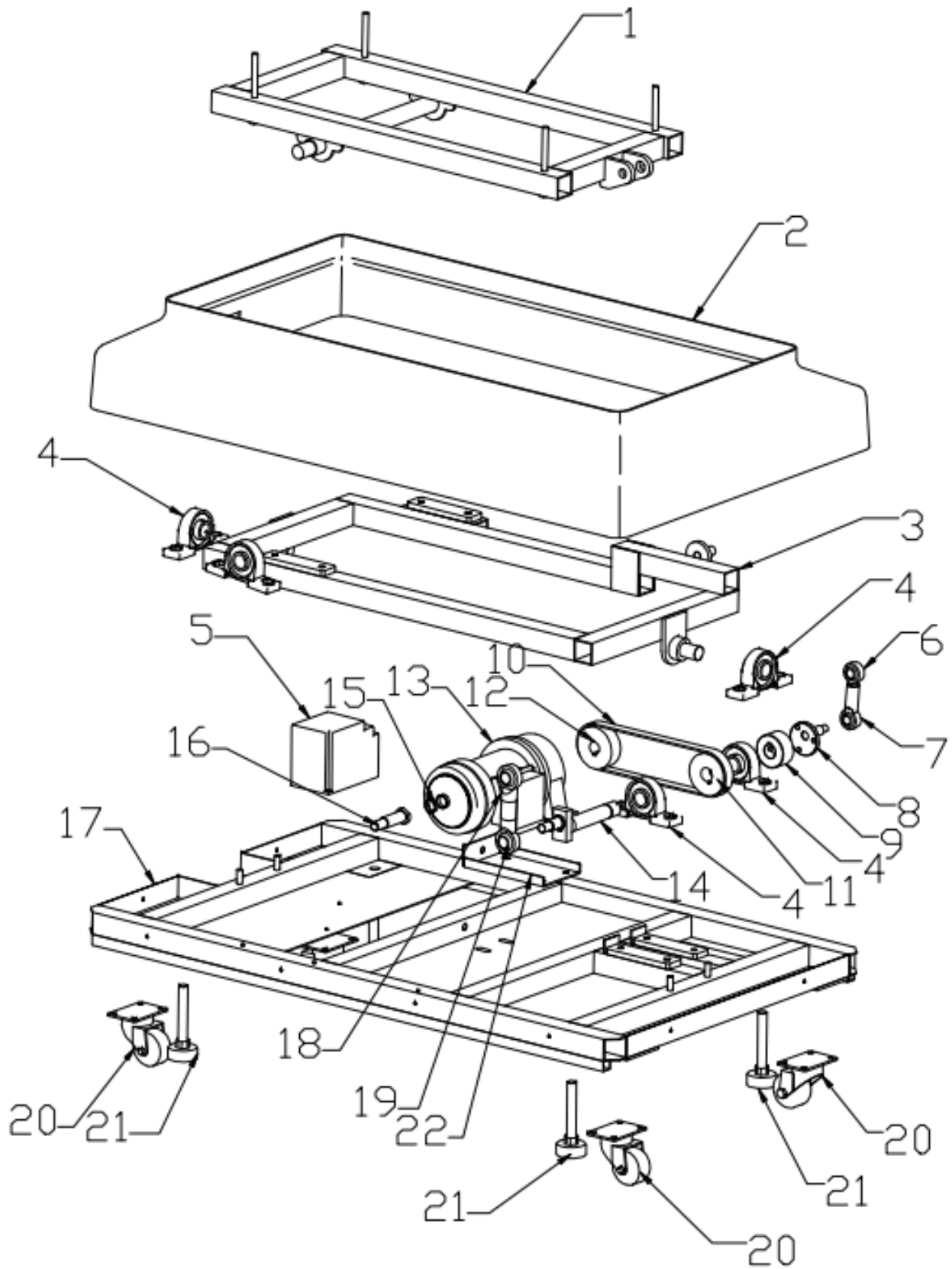
Check the coin mech. and cables are normal.

## 8. OVERALL CONSTRUCTION

### 8.1 General Part

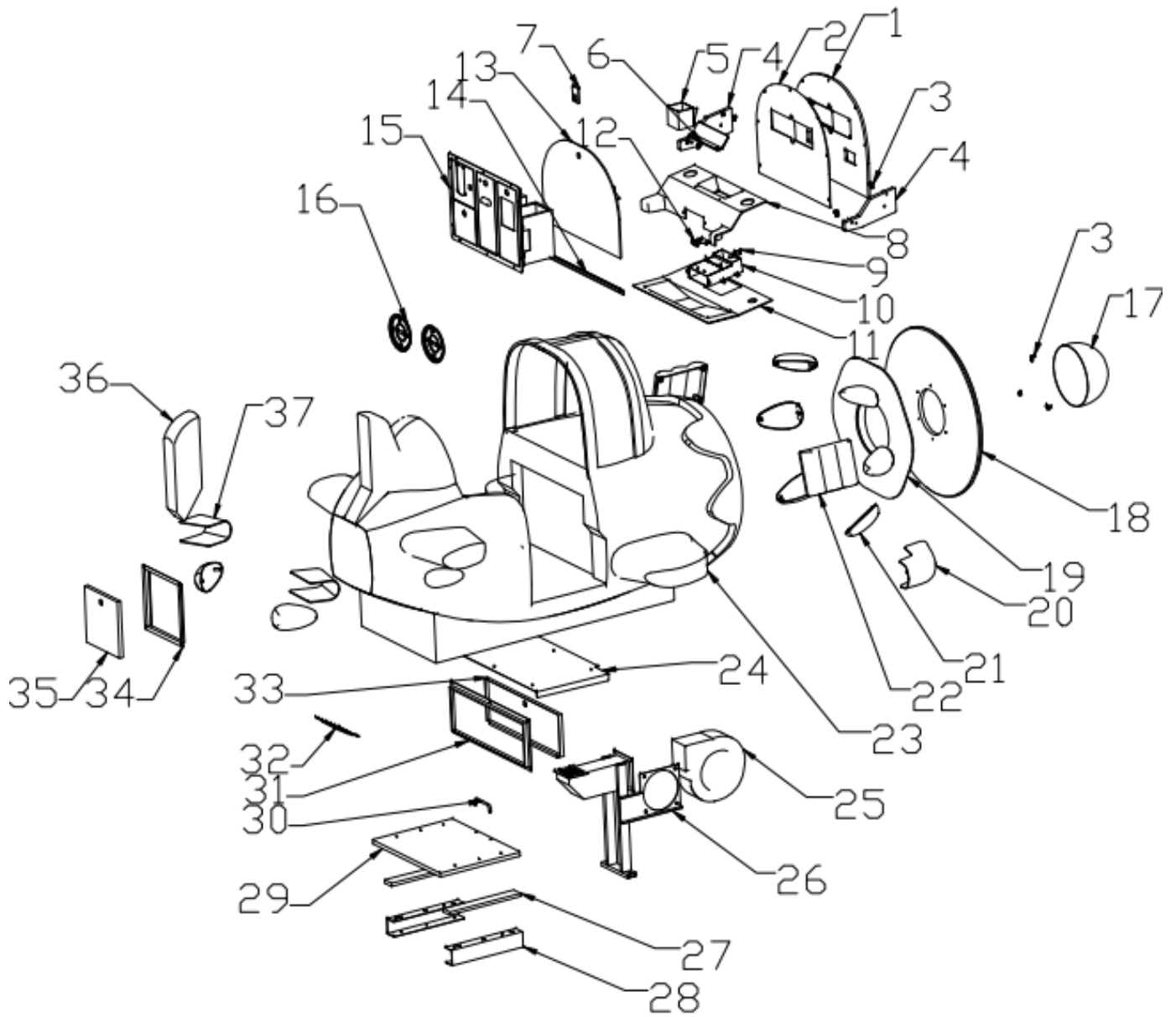


## 8.2 Base Assembly



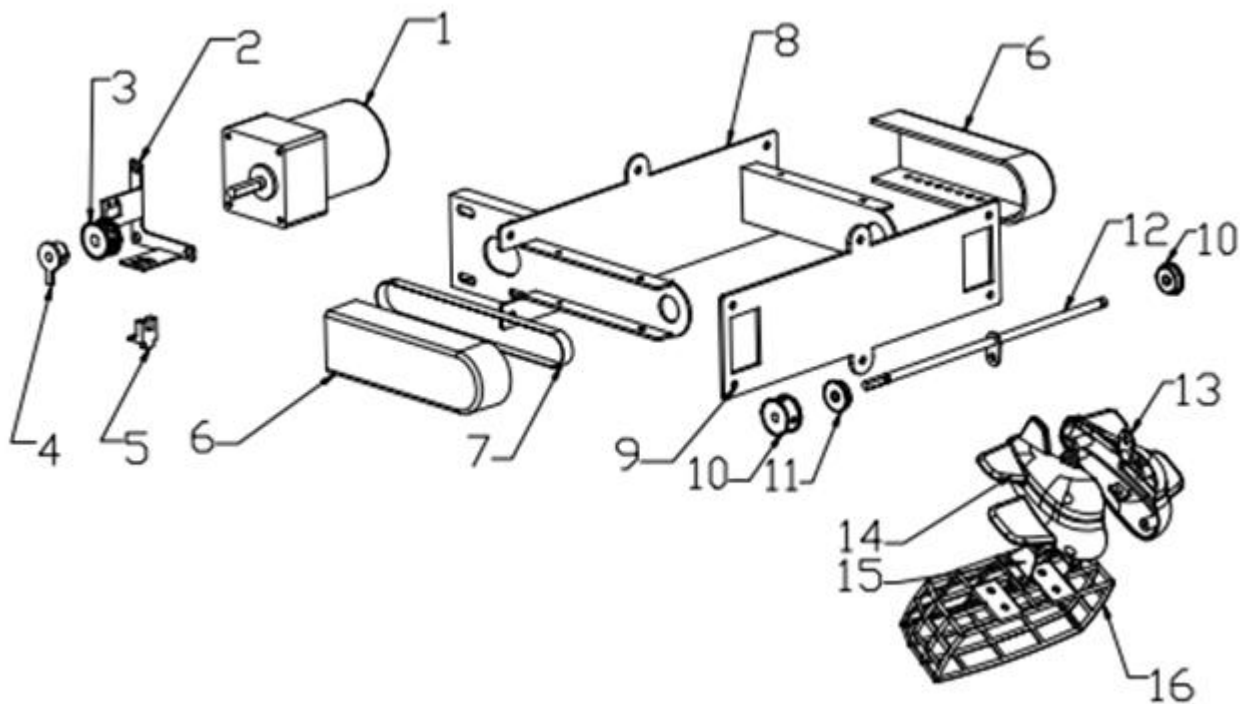
<b>No.</b>	<b>Part No.</b>	<b>Name</b>	<b>Material</b>	<b>Qty.</b>
1	R120-101-000	Upper moving bracket	Welding assembly	1
2	R120-102-000	Base cover	Black ABS	1
3	R120-103-000	Bottom moving bracket	Welding assembly	1
4	R120-104-000	BR. With seat	UCP205	6
5	R120-105-000	Transducer		1
6	R120-106-000	Oscillating BR.	M16 male	1
7	R120-107-000	Oscillating BR.	M16 female	1
8	R120-108-000	Flanged shaft	45#	1
9	R120-109-000	Connecting flange	45#	1
10	R120-110-000	Chain		1
11	R120-111-000	Driven sprocket	45#	1
12	R120-112-000	Drive sprocket	45#	1
13	R120-113-000	Motor	GH22-220-40S	1
14	R120-114-000	Rotation shaft	45#	1
15	R120-115-000	Spacer bush	45#	2
16	R120-116-000	Small shaft	45#	1
17	R120-117-000	Base	Welding assembly	1
18	R120-118-000	Oscillating BR.	M20 male	1
19	R120-119-000	Oscillating BR.	M20 female	1
20	R120-120-000	Caster		4
21	R120-121-000	Leveller	M16	4
22	R120-122-000	Motor plate	Metal	1

### 8.3 Plane Cabinet Assembly



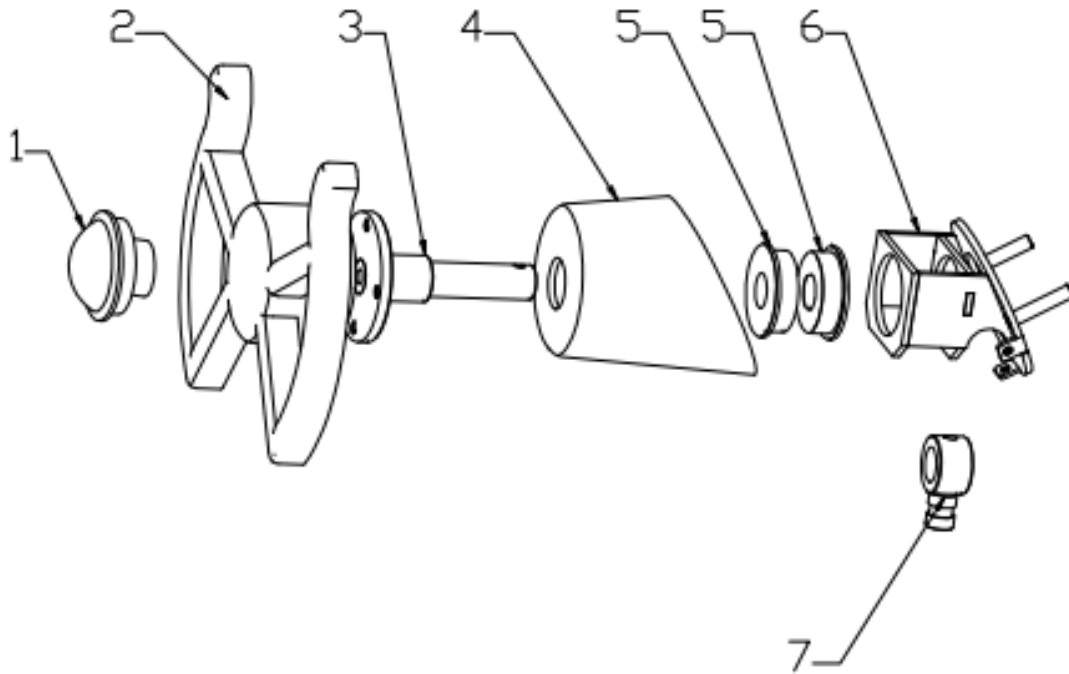
No.	Part No.	Name	Material	Qty.
1	R120-123-000	Display panel	Plywood	1
2	R120-124-000	Display plastic plate	Plastic	1
3	R120-125-000	Marquee mounted plate	Stainless steel	7
4	R120-126-000	Side fixed plate	MDF	1ea
5	R120-127-000	Guiding tube	Clear plastic	1
6	R120-128-000	Stopped ball plate	Clear plastic	1
7	R120-129-000	Window plastic	Clear plastic	1
8	R120-130-000	Cover plate vacuum form	Yellow ABS	1
9	R120-131-000	Side plate	Yellow PC	2
10	R120-132-000	Score channel	Stainless steel	1
11	R120-133-000	Ball collector	Yellow ABS	1
12	R120-134-000	Ball funnel fixed bracket	Stainless steel	1
13	R120-135-000	Window	Tempered glass	1
14	R120-136-000	Window fixed slot	Mirror steel	1
15	R120-137-000	Coin door assembly	Assembly	1
16	R120-138-000	Speaker light cover	Assembly	1
17	R120-139-000	Propeller hub	Red plastic	1
18	R120-140-000	Propeller	Clear plastic	1
19	R120-141-000	Plane fiberglass 1	Fiberglass	1
20	R120-142-000	Front light	White plastic	2
21	R120-143-000	Front light cover	White plastic	8
22	R120-144-000	Side light cover	White plastic	2
23	R120-145-000	Plane fiberglass	Fiberglass	1
24	R120-146-000	Pedal plate	Al.	1
25	R120-147-000	Blower	AH-6E	1
26	R120-148-000	Vent pipe	Stainless steel	1
27	R120-149-000	Guide rail	Cc4510 12"	2
28	R120-150-000	Rail fixed plate	Metal	1ea
29	R120-151-000	Electrical mounted plate	MDF	1
30	R120-152-000	Handle	Stainless steel	1
31	R120-153-000	Door frame	Q235	1
32	R120-154-000	Blind window	Q235	1
33	R120-155-000	Door plate	Q235	1
34	R120-156-000	Service door	Q235	1
35	R120-157-000	Service door	Q235	1
36	R120-158-000	Rear light cover	White plastic	1
37	R120-159-000	Wing light cover	White plastic	2

### 8.4 Basket assembly



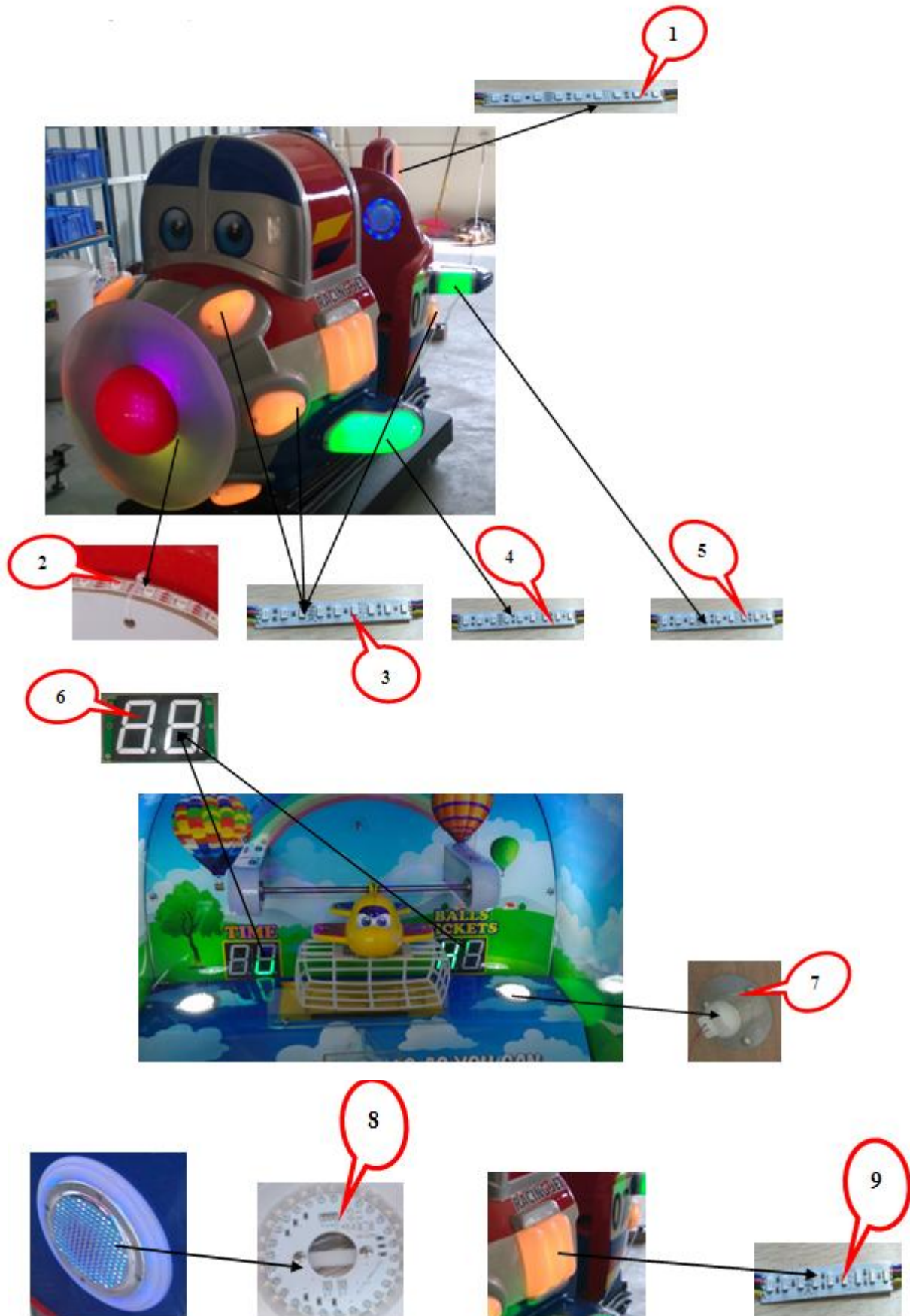
No.	Part No.	Name	Spec.	Qty
1	R120-307-000	Motor		1
2	R120-160-000	Optical coupling fixed bracket	Stainless steel	1
3	R120-161-000	Motor synchronizing wheel	Aluminium alloy	1
4	R120-162-000	Optical coupling plate	Stainless steel	1
5	R120-308-000	Sensor		1
6	R120-601-000	Plane arm cover	Plexi.	2
7	R120-309-000	Synchronizing wheel		1
8	R120-163-000	Plane fixed bracket	Stainless steel	1
9	R120-602-000	Decorative plate	Plexi.	1
10	R120-164-000	Plane synchronizing wheel	Aluminium alloy	1
11	R120-165-000	Br.	Purchased part	2
12	R120-166-000	Plane Br.	Stainless steel	1
13	R120-603-000	Plane R side	ABS	1
14	R120-604-000	Plane L side	ABS	1
15	R120-167-000	Plane connect bracket	Stainless steel	2
16	R120-605-000	Ball net	ABS	1

## 8.5 Steering wheel assembly

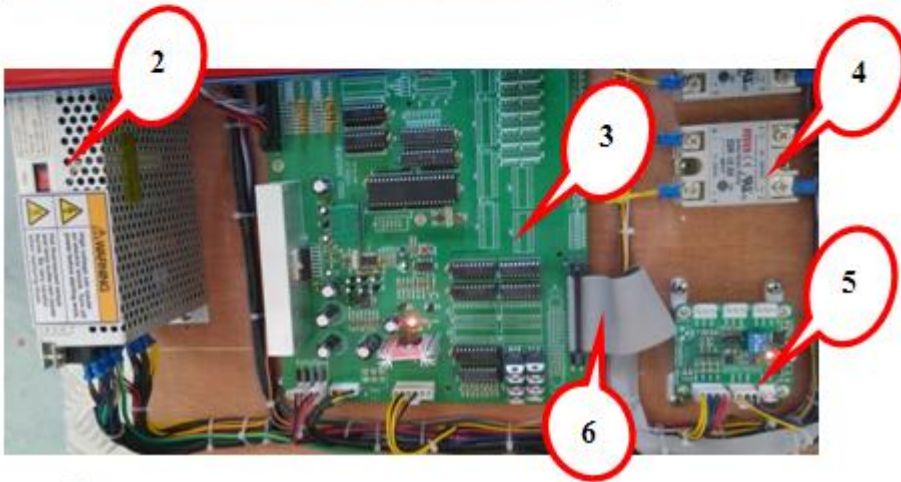
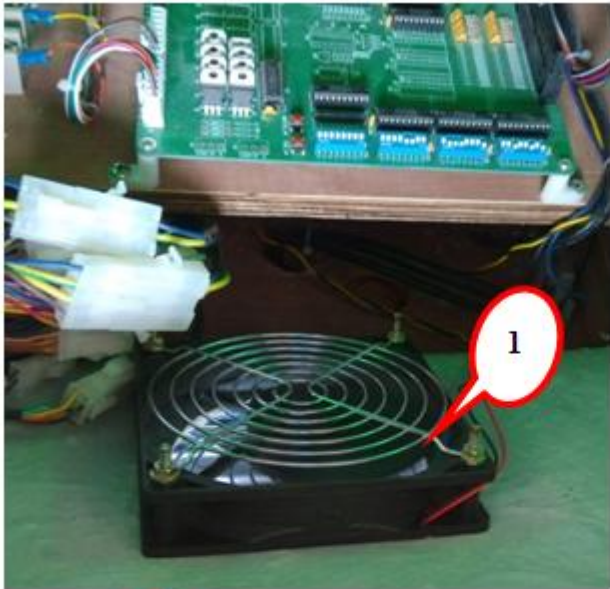


No.	Part No.	Name	Spec.	Qty
1	R120-310-000	Button	Purchased part	1
2	R120-311-000	Butterfly type wheel	Purchased part	1
3	R120-168-000	Steering wheel br.	45#	1
4	R120-606-000	Steering wheel vacuum foam	Red ABS	1
5	R120-312-000	Br.	Purchased part	2
6	R120-169-000	Steering wheel fixed base	Q235	1
7	R120-170-000	Limit rod	45#	1

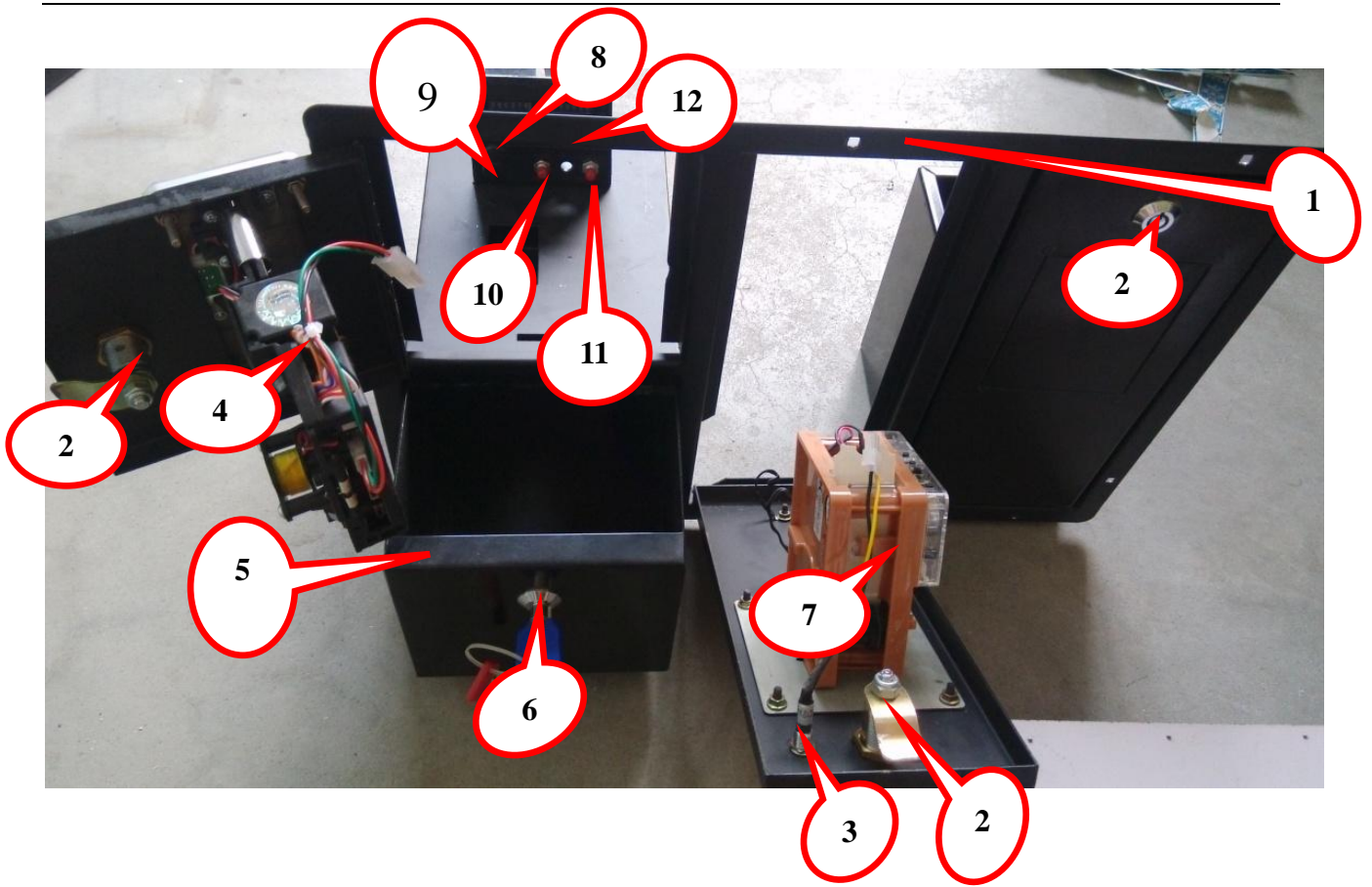
## 8.6 Electrical Part



<b>No.</b>	<b>Part No.</b>	<b>Name</b>	<b>SPEC.</b>	<b>Qty.</b>
1	R120-401-000	Tail light	5050 RGB	1
2	R120-402-000	Colorful light belt	WS2811B	1
3	R120-403-000	RBG light belt	5050 RGB	8
4	R120-405-000	Front light	5050 green	4
5	R120-406-000	Rear light	5050 green	4
6	R120-407-000	Display	PCB	2
7	R120-408-000	LED light	12V white	2
8	R120-409-000	Speaker light	RGB 12V	2
9	R120-410-000	Front upper light	5050 RGB	4



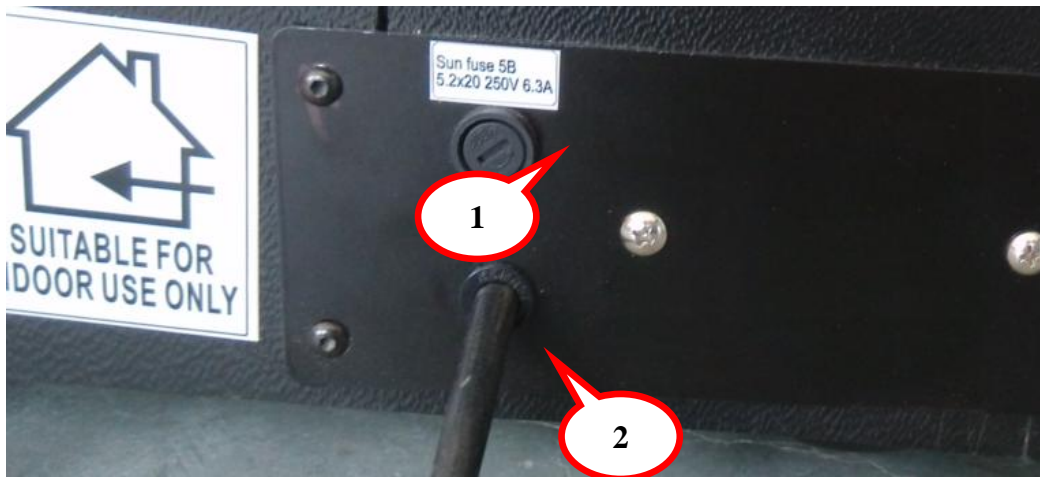
No.	Part No.	Name	SPEC.	Qty.
1	R120-411-000	Fan	12v	1
2	R120-412-000	Power supply	150w	1
3	R120-413-000	Main board	Sxkj-2013.pcv ver1.0	1
4	R120-414-000	Solid state relay	SSR-10 DA	2
5	R120-415-000	Light controller	XXH-150703A	1
6	R120-416-000	Ribbon cable	34p	1



No.	Part No.	Name	SPEC.	Qty.
1	R120-417-000	Coin door	Iron	1
2	R120-418-000	AH57 lock	57 lock	3
3	R120-419-000	Ticket light	Red light	1
4	R120-420-000	Coin mech.	TW-131	1
5	R120-421-000	Coin box	Iron	1
6	R120-422-000	AH78 lock	78 lock	1
7	R120-423-000	Tik. dispenser	LK003C	1
8	R120-424-000	Meter support bracket	Black plastic	1
9	R120-425-000	Volume adjuster	Black	1
10	R120-426-000	Service button	Red button	1
11	R120-427-000	Reset button	Red button	1
12	R120-428-000	Meter	Import	2

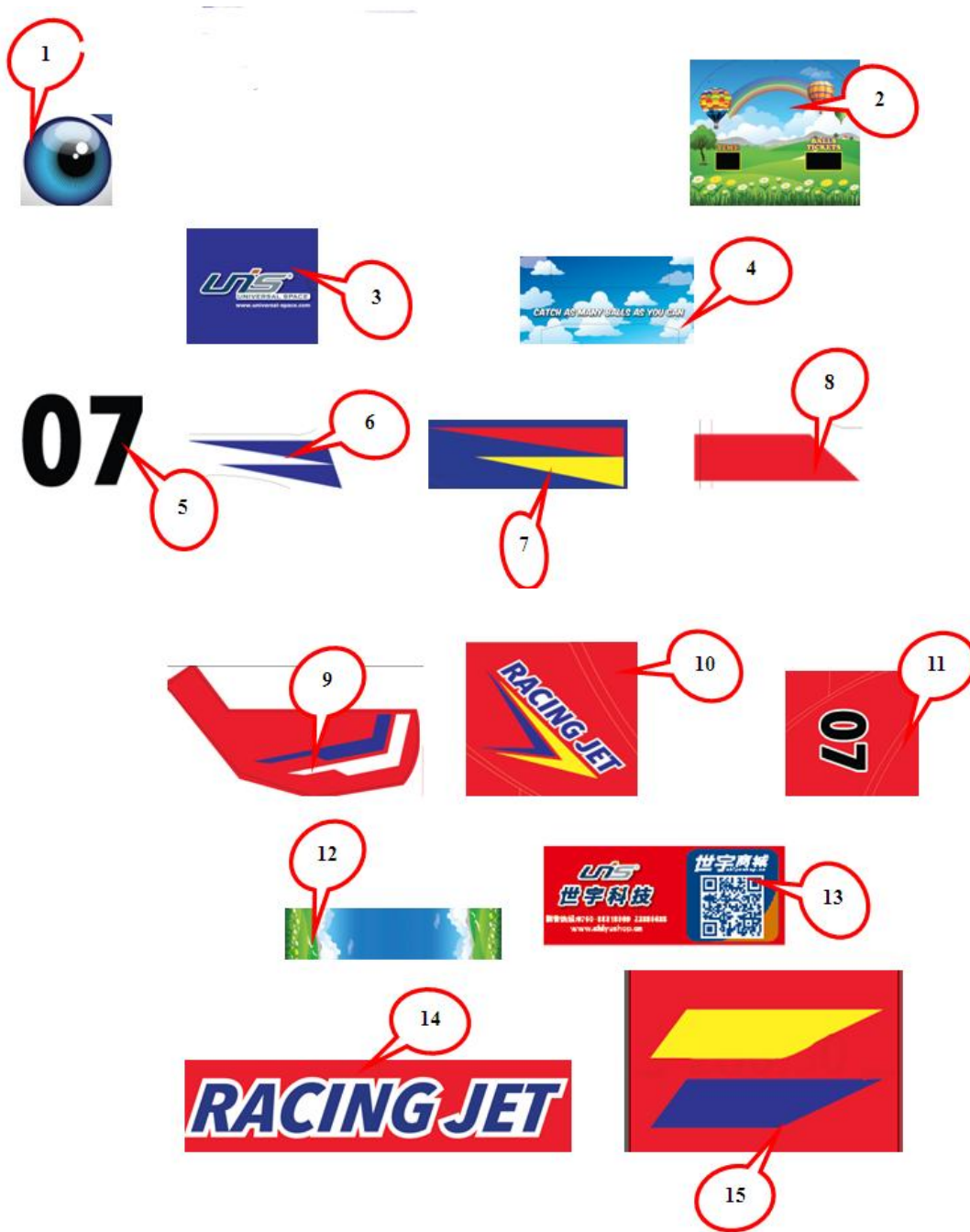


No.	Part No.	Name	SPEC.	Qty.
1	R120-429-000	Speaker	15W	2
2	R120-430-000	Plexi.	Plexi.	2
3	R120-431-000	Speaker light PCB	Red green blue	2
4	R120-432-000	Speaker cover	Silver	2

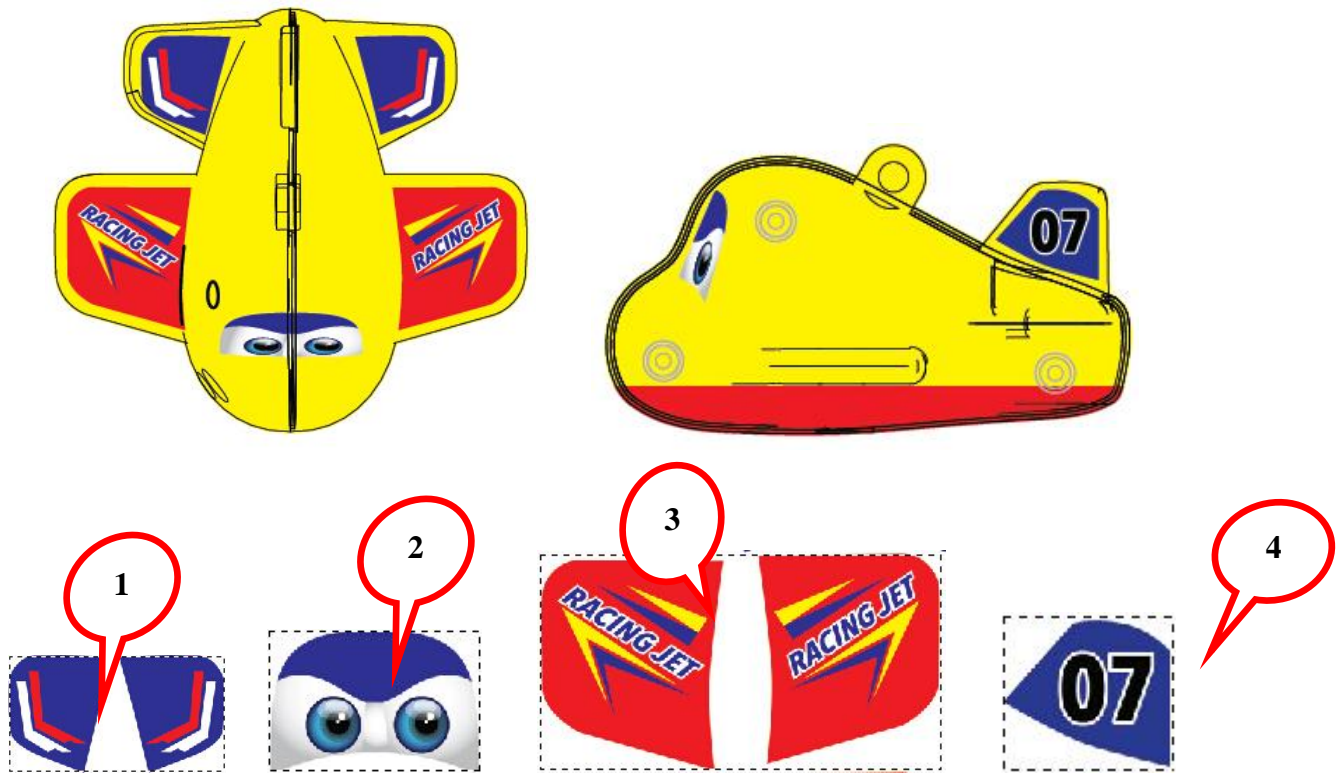


No.	Part No.	Name	SPEC.	Qty.
1	R120-433-000	Fuse base		1
2	R120-434-000	Power cord	6.3A/250V	1

### 8.7 Decal Part



<b>No.</b>	<b>Part No.</b>	<b>Name</b>	<b>SPEC.</b>	<b>Qty.</b>
1	R120-701-000	Eye decal	PVC	2
2	R120-702-000	Display	Plastic	1
3	R120-703-000	Tail decal	PVC	1
4	R120-704-000	Cover plate vacuum form	Vacuum form	1
5	R120-705-000	Side decal 1	PVC	1ea
6	R120-706-000	Side decal 2	PVC	1ea
7	R120-707-000	Side decal 3	PVC	1ea
8	R120-708-000	Side decal 4	PVC	1ea
9	R120-709-000	Side decal 5	PVC	1ea
10	R120-710-000	Rear R decal	PVC	1
11	R120-711-000	Rear L decal	PVC	1
12	R120-712-000	Playfield decal A	PVC	1
13	R120-713-000	Control panel decal	PVC	1
14	R120-714-000	Side B decal	PVC	
15	R120-715-000	Side A decal	PVC	1ea



No.	Part No.	Name	SPEC.	Qty.
1	R120-716-000	Plane decal C	PVC	2
2	R120-717-000	Plane decal A	PVC	1
3	R120-718-000	Plane decal E	PVC	2
4	R120-719-000	Plane decal D	PVC	1



No.	Part No.	Name	SPEC.	Qty.
1	R120-720-000	Danger warning label	PVC	2
2	R120-721-000	Cabinet nameplate label	PVC	1
3	R120-722-000	Indoor used nameplate label	PVC	1
4	R120-723-000	Fuse label	PVC	1
5	R120-724-000	Force point label	PVC	4
6	R120-725-000	Ticket out label	PVC	1
7	R120-726-000	High voltage & high temperature label	PVC	1
8	R120-727-000	High voltage danger label	PVC	1



## 9. IO chart

Item	Option	SW1							
		1	2	3	4	5	6	7	8
Coin per game	1	off	off						
	2	on	off						
	3	off	on						
	4	on	on						
Game time (s)	30			off	off	off			
	35			on	off	off			
	40			off	on	off			
	45			on	on	off			
	50			off	off	on			
	60			on	off	on			
	75			off	on	on			
	90			on	on	on			
Score per ticket	1						off	off	off
	2						on	off	off
	3						off	on	off
	4						on	on	off
	5						off	off	on
	8						on	off	on
	10						off	on	on
	Ticket off						on	on	on
Item	Option	SW2							
		1	2	3	4	5	6	7	8
Mercy ticket	0	off	off						
	1	on	off						
	2	off	on						
	3	on	on						
Demo music	Yes			off					
	No			on					
Data memory	Yes				off				
	No				on				
Free Play	Yes					off			
	No					on			
DBV pulse for 1RMB	1						off	off	off
	2						on	off	off
	3						off	on	off
	4						on	on	off
	5						off	off	on
	10						on	off	on
	20						off	on	on
	100						on	on	on



Have Questions? Contact us!

[www.universal-space.com](http://www.universal-space.com)

 <b>International Support Center</b>	 <b>USA Support Center</b>
Tel: +1-905-477-2823 Fax: +1-905-477-2660 Email: <a href="mailto:service@universal-space.com">service@universal-space.com</a> (Contact: Clement Yau)	Tel: 972-241-4263 Fax: 214-919-4918 Email: <a href="mailto:tsnelling@unisusasupportcenter.com">tsnelling@unisusasupportcenter.com</a> (Contact: Tim Snelling)